

Single Phase Inverter Second Generation

Omniksol-2.5k/3k-TL2-S



product features

Features

- Standard 10 years warranty, 5-25years optional
- Built-in GPRS as option
- Built-in Wifi as option
- External Inductor
- Smaller and lighter, 3kW-TL2 weighs only 9.9kg
- High performance DSP for algorithm control
- VDE-AR-N 4105 certification
- New topology design
- Multi-button touch interface
- LCD screen visible at night
- Have anti-shading function

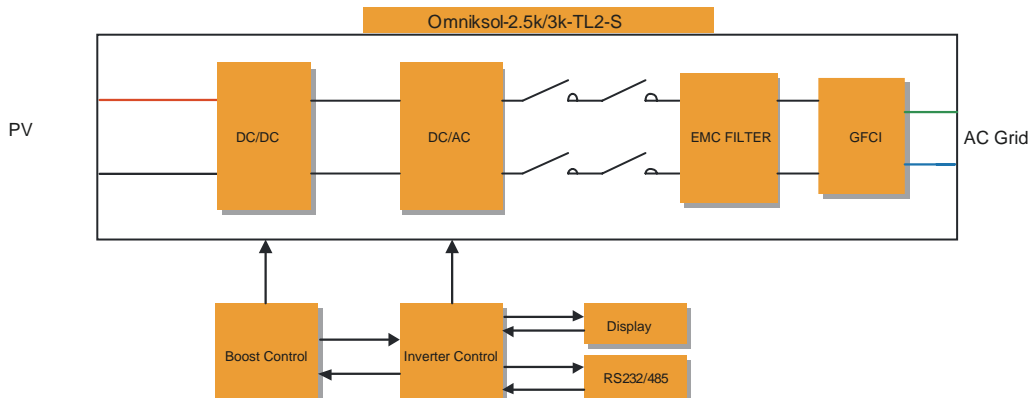
Advantages

- Longer life cycle
- Plug and play
- Free monitoring fee for data transmission
- Very lower internal temperature
- Easy transportation and installation
- Faster CPU speed
- Adjustable active and reactive power
- Maximum conversion efficiency up to 97.7%, Euro up to 97.0%
- User friendly operation
- Real-time data readable at night
- Suitable to complex installation environment

Benefits

- More stable and reliable
- No commissioning work to get real-time remote monitoring
- More convenient monitoring solution without any charge
- Longer life cycle
- Saving storage and installation space
- Higher inverter control accuracy
- Meet the latest certification and regulations
- Increase system payback ability
- Easy to operate
- Real-time operating condition accessible
- Increase the electricity generation of the system in shading environment

Block Diagram



Technical Date

Omniksol-2.5k/3k-TL2-S

Type	Omniksol-2.5k-TL2-S	Omniksol-3k-TL2-S
Input(DC)		
Max. PV Power	2800W	3250W
Max. DC Voltage	500V	500V
Nominal DC Voltage	360V	360V
Operating MPPT Voltage Range	120-450V	120-450V
MPPT Voltage Range at Nominal Power	150-450V	150-450V
Start up DC Voltage	150V	150V
Turn off DC Voltage	120V	120V
Max. DC Current	18A	18A
Max. Short Circuit Current for each MPPT	20A	20A
Number of MPP trackers	1	1
Number of DC Connection for each MPPT	1	1
DC Connection Type	MC4 Connector	MC4 Connector
Output (AC)		
Max. AC Apparent Power	2750VA	3000VA
Nominal AC Power(cos phi = 1)	2500W	3000W
Nominal Grid Voltage	220V/230V/240V	220V/230V/240V
Nominal Grid Frequency	50Hz/60Hz	50Hz/60Hz
Max. AC Current	12.5A	14.0A
Grid Voltage Range*	185-276V	185-276V
Grid Frequency Range*	45-55Hz/55-65Hz	45-55Hz/55-65Hz
Power Factor	0.95 capacitive...0.95 inductive	0.95 capacitive...0.95 inductive
Total Harmonic Distortion (THD)	<2%	<2%
Feed in Starting Power	30W	30W
Night time Power Consumption	<1W	<1W
Standby Consumption	6W	6W
AC Connection Type	Plug-in connector	Plug-in connector
Efficiency		
Max. Efficiency (at 360Vdc)	97.7%	97.7%
Euro Efficiency (at 360Vdc)	96.9%	97.0%
MPPT Efficiency	99.9%	99.9%
Safety and Protection		
DC Insulation Monitoring	Yes	
DC Switch	Optional	
Residual Current Monitoring Unit (RCMU)	Integrated	
Grid Monitoring with Anti-islanding	Yes	
Protection Class	I (According to IEC 62103)	
Overvoltage Category	PV II / Mains III (According to IEC 62109-1)	
Reference Standard		
Safety Standard	EN 62109, AS/NZS 3100	
EMC Standard	EN 61000-6-1, EN 61000-6-3, EN 61000-6-2, EN 61000-6-4, EN61000-3-2, EN61000-3-3	
Grid Standard	VDE-AR-N-4105, VDE 0126-1-1, RD1699, C10/11, G83/2, UTE C15-712-1, AS4777, CEI 0-21, EN50438	
Physical Structure		
Dimensions (WxHxD)	343x281x150mm	
Weight	9.9kg	
Environmental Protection Rating	IP 65 (According to IEC 60529)	
Cooling Concept	Natural convection	
Mounting Information	Wall bracket	
General Data		
Operating Temperature	-20°C to +60°C(derating above 45°C)	
RangeRelative Humidity	0% to 98%, no condensation	
Max. Altitude (above sea level)	2000m	
Noise Level	< 40dB	
Isolation Type	Transformerless	
Display	3 LED, Backlight, 4 x 20 Character LCD	
Data Communication Interfaces	RS485(WiFi, GPRS integrated)	
Computer Communication	USB	
Standard Warranty	10 Years (5-25 years optional)	

*The AC voltage and frequency range may vary depending on specific country grid



Address: XingHu Rd. Nr. 218 bioBAY Park A4-414,
215123, SuZhou, China
Tel: +86-512-6956-8216
Fax: +86-512-6295-6682
E-mail: sales@omnik-solar.com
Website: http://www.omnik-solar.com

Products updating continues. Any data change will not be informed exclusively.
Omnik company reserves the right of final interpretation of product technical data and copyrights.